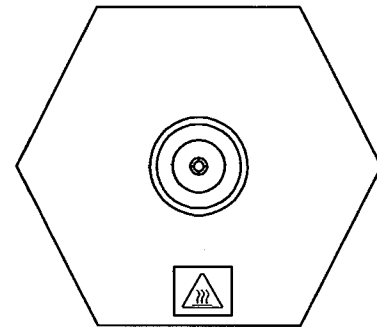
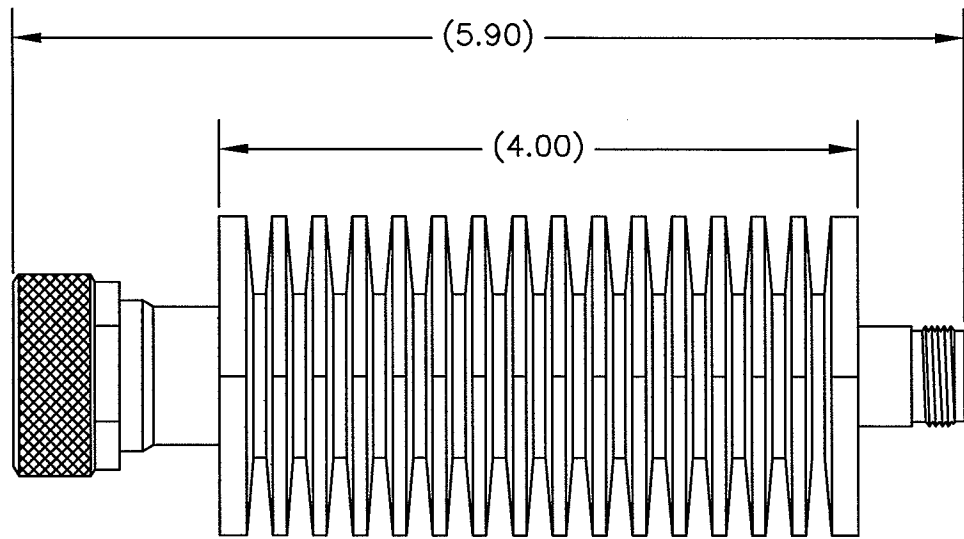
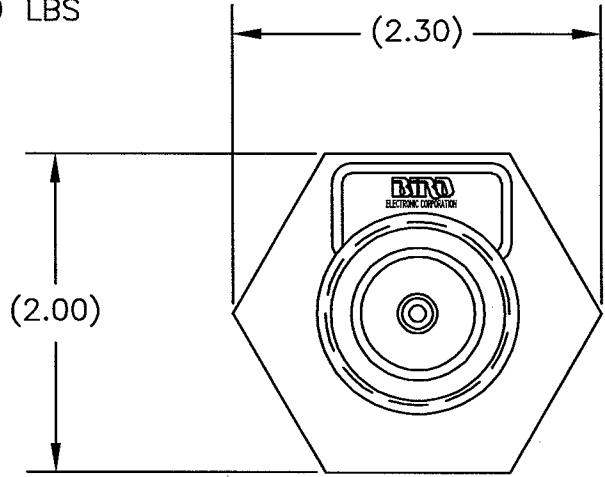


DWG NO. 50-A-MFEN-XX
 SHEET 1
 REV A

SPECIFICATIONS:

POWER RATING: 50 W MAX. @ 40°C.
 60 W MAX. @ 25°C.
 FREQUENCY RANGE & VSWR:
 DC TO 1GHz AT 1.10:1 MAX.
 1GHz TO 2.4GHz AT 1.25:1 MAX.
 IMPEDANCE: 50 OHMS, NOMINAL
 AMBIENT TEMPERATURE RANGE: -40°C TO +40°C
 CONNECTORS: 7/16 MALE/N-TYPE FEMALE, TRI-ALLOY PLATED
 OPERATING POSITION: ANY (CONVECTION COOLED)
 FINISH: BLACK ANODIZED
 NOMINAL SIZE: APPROX. 5.90" L X 2.30"
 WEIGHT: APPROX. 1.0 LBS

REVISIONS				
ZONE	REV	DESCRIPTION	DATE	APPROVED
	A	DRAWING RELEASE PER DMD	12-18-03	MB



NOTE:
 FOR VALUES NOT LISTED, REFER TO THE NEXT HIGHER ATTENUATION LEVEL FOR SPECIFICATIONS.
 FOR ATTENUATION VALUES GREATER THAN THE HIGHEST LISTED ATTENUATION VALUE, REFER TO THE VALUE 1/2 THE DESIRED ATTENUATION LEVEL, THEN DOUBLE THE LISTED SPECIFICATION VALUES, UNLESS OTHERWISE SPECIFIED.

XX = DASH NUMBER (dB VALUE)

-40	40	±1.0 dB	±2.0 dB
-30	30	±0.8 dB	±1.3 dB
-20	20	±0.5 dB	±1.0 dB
-10	10	±0.4 dB	±0.8 dB
-06	6	±0.4 dB	±0.6 dB
-03	3	±0.3 dB	±0.5 dB
-02	2	±0.3 dB	±0.5 dB
-01	1	±0.3 dB	±0.5 dB
DASH NO.	dB ATTEN.	DC - 1GHz ATTENUATOR	1 - 2.4GHz ACCURACY ± dB

DIMENSIONS HEREON ARE FOR CUSTOMER CONVENIENCE AND REFERENCE ONLY. TOLERANCE TO BE APPLIED ONLY WHERE INDIVIDUALLY STATED ON THE RESPECTIVE DIMENSION. -DO NOT SCALE DRAWING-

UNLESS OTHERWISE SPECIFIED DIMENSIONS ARE IN INCHES TOLERANCES ARE: FRACTIONS DECIMALS ANGLES $\pm 1/64$.XX=±.010 ±30' .XXX=±.005		MILLIMETERS .X=±.4 .XX=±.12	THIS DRAWING IS THE PROPERTY OF THE BIRD ELECTRONIC CORPORATION. THE DESIGNS AND SPECIFICATIONS DISCLOSED HEREON ARE PROPRIETARY AND SHALL NOT BE REPRODUCED, NOR COPIED, NOR USED AS THE BASIS FOR THE MANUFACTURE OR SALE OF APPARATUS OR DEVICES WITHOUT THEIR EXPRESS WRITTEN CONSENT.		BIRD Electronic Corporation Cleveland (Solon) Ohio USA
DO NOT SCALE DRAWING					
MATERIAL		APPROVALS	DATE	TITLE	
FINISH		DRAWN D.M.RINK	12-19-03	ATTENUATOR, CONVECTION COOLED 7/16 MALE/N-TYPE FEMALE, 50W	
		CHECKED		SIZE B	FSCM NO. 70998
		APPROVED <i>Mark V</i>	12-19-03	DWG. NO. 50-A-MFEN-XX	REV A
			AUTOCAD	SCALE 1:1	COMM CODE AT1
				SHEET 1 OF 1	